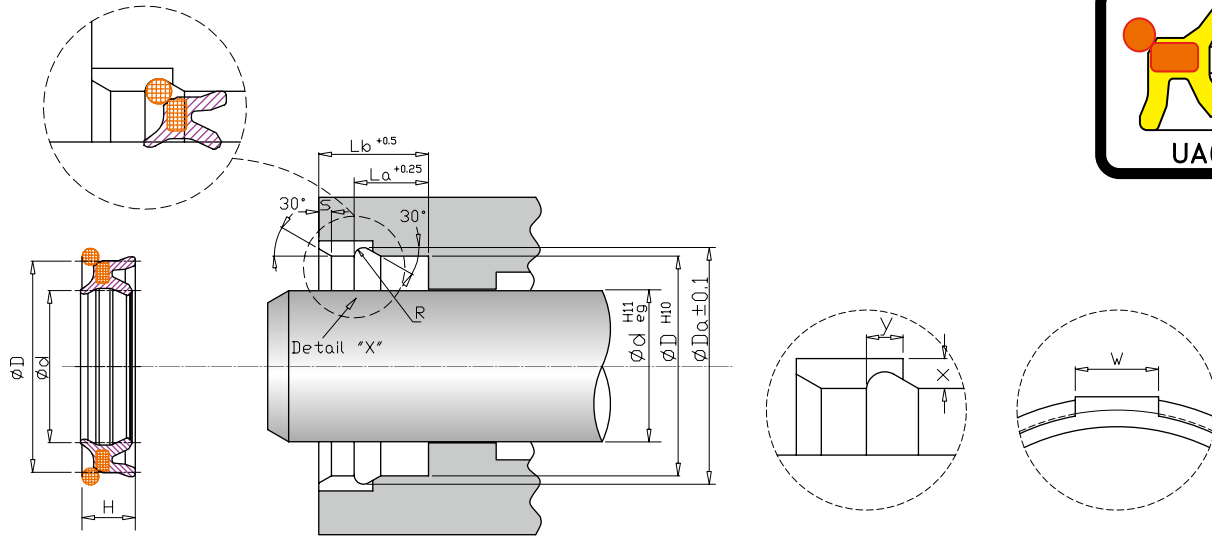
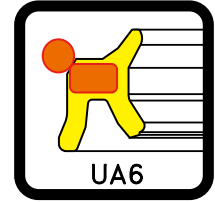


UA6 Series

Rod Wiper Seal



FKM/ FPM 80 PHYSICAL PROPERTIES				
Working Pressure: ≤ 1.6 Mpa			Hardness	80 Shore A DIN53505
Working Temperature: $-20^{\circ}\text{C} \sim +225^{\circ}\text{C}$				80 Shore A ASTM D2240
Surface Speed: ≤ 1.0 m/s			Tensile Strength	15.74 Mpa DIN53504 2282 psi ASTM D-412
Compression Set	8.1%	DIN53517	Elongation	154 % DIN53504
24 hrs @ 175°C	8.1%	ASTM D-395		154 % ASTM D-412
			Standard Compound	V8031AE
			Color	Green ●

CODE	d (mm)	D (mm)	H (mm)	Da	La	Lb	R	x	y	w	s
UA61220	12	20	8.5	22.0	8.8	13.0	1.1	1.8	2.2	4.0	1.5
UA61222	12	22	8.5	24.0	8.8	13.0	1.1	1.8	2.2	4.0	1.5
UA61626	16	26	8.5	28.0	8.8	13.0	1.1	1.8	2.2	5.0	1.5
UA61826	18	26	8.5	28.0	8.8	13.0	1.1	1.8	2.2	5.0	1.5
UA61828	18	28	8.5	30.0	8.8	13.0	1.1	1.8	2.2	5.0	1.5
UA62030	20	30	8.5	32.0	8.8	13.0	1.1	1.8	2.2	5.0	1.5
UA62232	22	32	8.5	34.5	9.4	14.0	1.4	2.0	2.8	7.5	2.0
UA62535	25	35	8.5	37.5	9.4	14.0	1.4	2.0	2.8	7.5	2.0
UA63242	32	42	8.5	44.5	9.4	14.0	1.4	2.0	2.8	7.5	2.0
UA64050	40	50	8.5	52.5	9.4	14.0	1.4	2.0	2.8	7.5	2.0
UA65060	50	60	8.5	63.2	10.4	15.0	1.8	2.5	3.6	10.0	2.0
UA66375	63	75	10.0	78.2	11.4	16.0	1.8	2.5	3.6	10.0	2.0

*Includes the Retaining Ring
Material: SUS 304