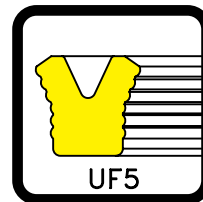
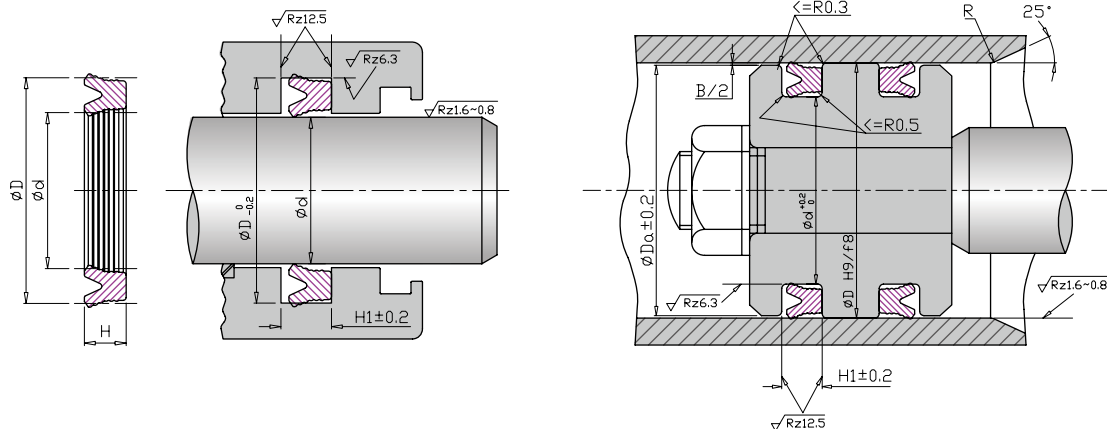


UF5 Series

Low Friction Pneumatic Symmetrical Piston & Rod U-Cup Seal



FKM/FPM 75 PHYSICAL PROPERTIES			
Working Pressure: ≤ 1.0 Mpa			
Working Temperature: $-20^\circ\text{C} \sim +225^\circ\text{C}$			
Surface Speed: ≤ 1.0 m/s			
Hardness	75 Shore A	DIN53505	
Tensile Strength	16.6 Mpa	DIN53504	
	2428 psi	ASTM D-412	
Elongation	185 %	DIN53504	
Compression Set	9.5 %	DIN53517	
24hrs @ 200°C	9.5 %	ASTM D-395	
Standard Compound	V7559AA		
Color	Black ●		

NBR 75 PHYSICAL PROPERTIES			
Working Pressure: ≤ 1.0 Mpa			
Working Temperature: $-25^\circ\text{C} \sim +100^\circ\text{C}$			
Surface Speed: ≤ 1.0 m/s			
Hardness	75 Shore A	DIN53505	
Tensile Strength	22.8 Mpa	DIN53504	
	3306 psi	ASTM D-412	
Elongation	320 %	DIN53504	
Compression Set	10.9 %	DIN53517	
24hrs @ 100°C	10.9 %	ASTM D-395	
Standard Compound	N7539AA		
Color	Black ●		

CODE	d (mm)	D (mm)	H (mm)	H1	da
UF50001	10.0	18.0	5.0	5.7	17.1
UF50002	12.0	20.0	5.0	5.7	19.0
UF50003	14.0	22.0	5.0	5.7	21.1
UF50004	16.0	24.0	5.0	5.7	23.1
UF50005	17.0	25.0	5.0	5.7	24.1
UF50006	18.0	26.0	5.0	5.7	25.1
UF50007	20.0	28.0	5.0	5.7	27.1
UF50008	22.4	30.0	5.0	5.7	29.1
UF50009	25.0	33.0	5.0	5.7	32.1
UF50010	27.0	35.0	5.0	5.7	34.1
UF50011	28.0	36.0	5.0	5.7	35.1
UF50012	30.0	40.0	6.0	7.0	39.0
UF50013	31.5	41.5	6.0	7.0	40.5
UF50014	32.0	42.0	6.0	7.0	41.0
UF50015	35.0	45.0	6.0	7.0	44.0
UF50016	35.5	45.5	6.0	7.0	44.5
UF50017	36.0	46.0	6.0	7.0	45.0
UF50018	40.0	50.0	6.0	7.0	49.0
UF50019	45.0	55.0	6.0	7.0	54.0
UF50020	50.0	60.0	6.0	7.0	59.0
UF50021	53.0	63.0	6.0	7.0	62.0
UF50022	55.0	65.0	6.0	7.0	64.0
UF50023	60.0	70.0	6.0	7.0	69.0
UF50024	63.0	73.0	6.0	7.0	72.0

CODE	d (mm)	D (mm)	H (mm)	H1	da
UF50025	65.0	75.0	6.0	7.0	74.0
UF50026	70.0	80.0	6.0	7.0	79.0
UF50027	75.0	85.0	6.0	7.0	84.0
UF50028	80.0	90.0	6.0	7.0	89.0
UF50029	85.0	100.0	9.0	10.0	98.5
UF50030	95.0	110.0	9.0	10.0	108.5
UF50031	100.0	115.0	9.0	10.0	113.5
UF50032	105.0	120.0	9.0	10.0	118.5
UF50033	110.0	125.0	9.0	10.0	123.5
UF50034	115.0	130.0	9.0	10.0	128.5
UF50035	125.0	140.0	9.0	10.0	138.5
UF50036	135.0	150.0	9.0	10.0	148.5
UF50037	145.0	160.0	9.0	10.0	158.5
UF50038	160.0	175.0	9.0	10.0	173.5
UF50039	165.0	180.0	9.0	10.0	178.5
UF50040	175.0	190.0	9.0	10.0	188.5
UF50041	180.0	200.0	12.0	13.0	198.0
UF50042	185.0	205.0	12.0	13.0	203.0
UF50043	200.0	220.0	12.0	13.0	218.0
UF50044	215.0	235.0	12.0	13.0	233.0
UF50045	230.0	250.0	12.0	13.0	248.0
UF50046	240.0	260.0	12.0	13.0	258.0
UF50047	24.0	32.0	5.0	5.7	31.1